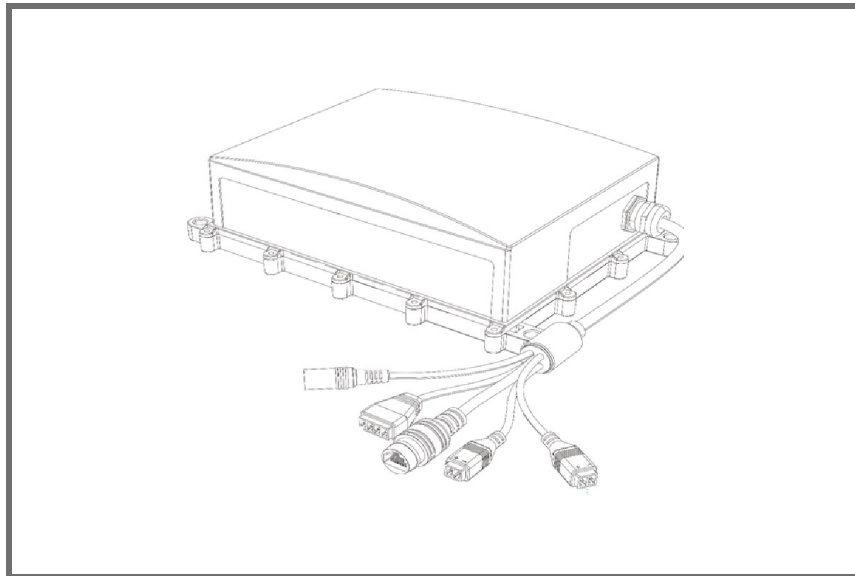




Ci-D01 Forklift Safety Proximity Alarm System Reader



Ci-D01 station reader is an important part of proximity alarm safety system, it is designed based on UWB accurate distance measurement technology, its distance detection accuracy can reach around 10cm with UWB tag compatible, it's used at vehicle/forklift/ excavator collision avoidance system. Ci-D01 is installed on forklift/vehicle etc, once the dangerous distance is set, when a person who wears the UWB tag is getting close to the dangerous range, it will give sound and light alarm to remind operator that someone is around, meanwhile people who wear the tag will get alert to his own safety as well, to keep away from the dangerous area. This product can be used in factory, warehouse or construction field to prevent the collision of people, object, vehicle in the operating process, to reduce accidents and protect the interests of enterprises.

FEATURE

- ☑ Adopt UWB Technology, distance Measurement Accuracy 10cm
- ☑ 360° Reading, Reading Distance Around 50m Adjustable, Proximity Alarm
- ☑ 3 Level Alarm Distance With Different Sound and Light Configurable
- ☑ Anti-Collision Area And warning Area Can Be Set by Computer Software
- ☑ Different Alarm Output Option, Sound or Relay Available



- Wide Voltage for Power Supply: DC9V~48V
- Operating Temperature: -20~ 60°C, IP65 Rating Suitable for Outdoor Installation

GENERAL PARAMETERS

| | |
|--------------------------------------|--------------------------------|
| Operating Distance | 1-50m |
| Distance Measurement Accuracy | 10cm |
| Radio Frequency | UWB 6.1 ~ 6.9 GHz |
| Communication Frequency | 802.15.4 2.4GHz |
| Communication Port | RJ45 (PoE), RS485, switch, CAN |
| Power Supply | 9-48V DC power or 802.3af PoE |
| Working Temp. | -20°C to 60°C |
| Material | ABS+PC |
| Product Dimension | 266x 193.4x 80.8mm |
| Weight | 1.5kg |